

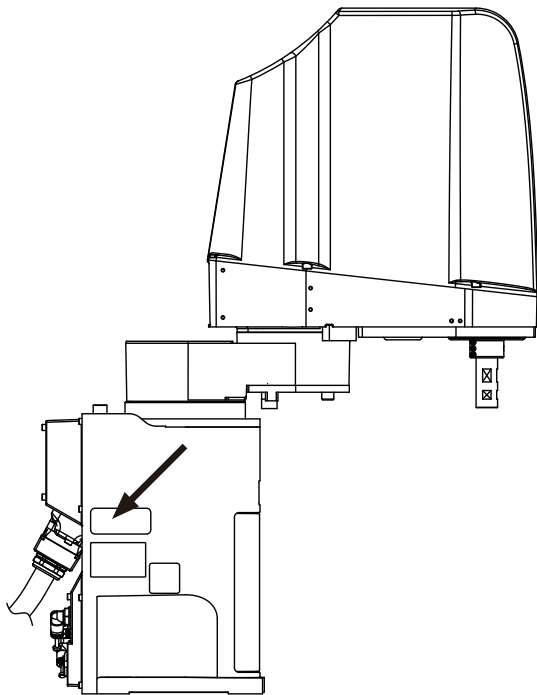
Servo SCARA JS3 Series

How to Read the Model No. / Serial No.

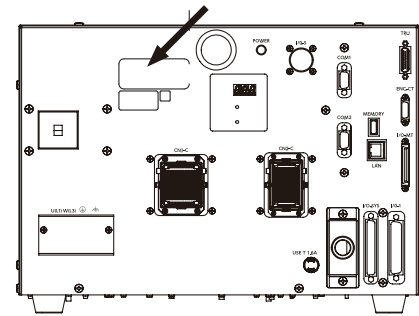
Plates are affixed to both main unit and controller. Please check both plates.

Identification Plate Positions

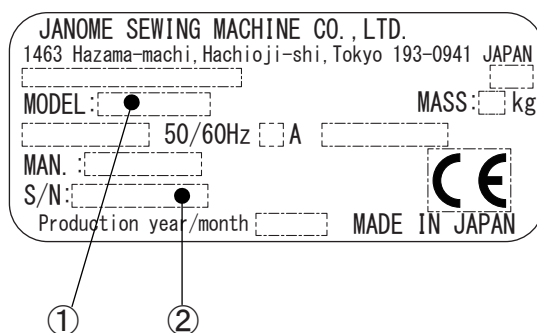
〈Robot〉



〈Controller〉



How to Check the Identification Plate



① Model Number

② Serial Number

Example: 18JS3320001